

CLASS 100

BRONZE GLOBE VALVE

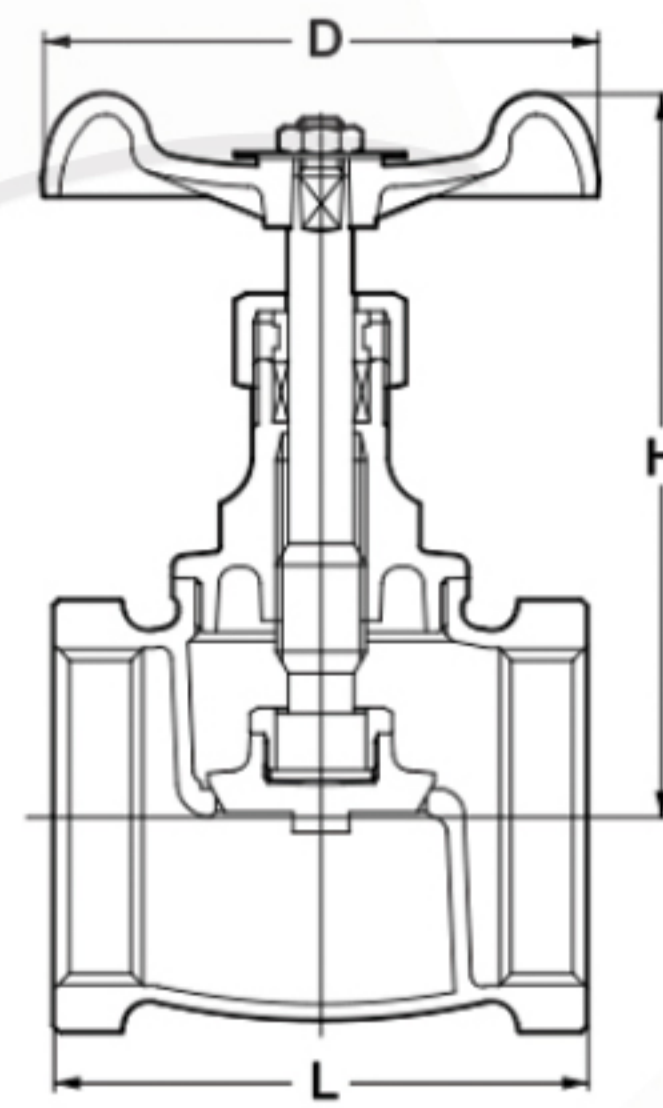
Screwed Bonnet, Rising Stem
Threaded ends to BS21 (JIS B0203) or NPT

W.O.G. non-shock 1.03 MPa (150 psi), Saturated steam pressure 0.7 MPa (100 psi)



Fig. A

• Threaded end to BS21 (JIS B0203)



Materials

Parts	Material
Body	Bronze
Bonnet	Brass/Bronze*
Stem	Dezincification Resistant Brass
Disc	Bronze
Gland Packing	Aramid Fibers Graphite

*Size 4 only

⚠ Don't use for Flammable gas or Toxic gas.

Dimensions

Nominal Size	mm											
	inch	1/4	3/8	1/2	3/4	1	1 1/4	1 1/2	2	2 1/2	3	4
L	mm	8	10	15	20	25	32	40	50	65	80	100
H valve open		40	42	48	53	63	73	81	94	115	131	171
D		66	67	69	80	94	104	127	147	179	200	250
		50	50	55	60	70	80	90	100	115	135	180